

# UNCLB

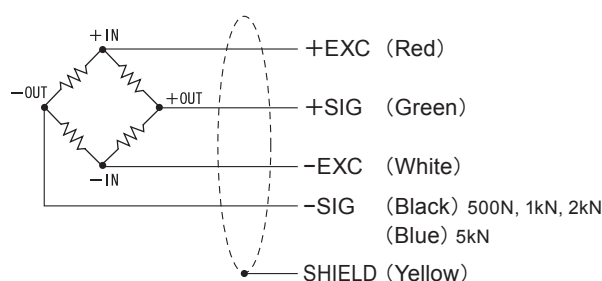
## TENSION/COMPRESSION TYPE LOADCELL



### Specifications

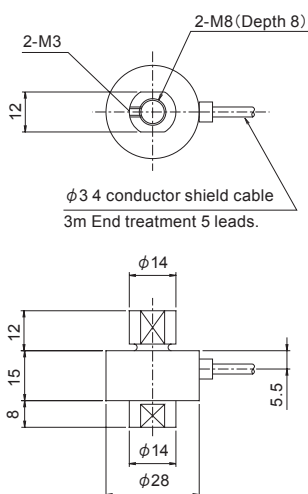
Model	UNCLB-500N	UNCLB-1KN	UNCLB-2KN	UNCLB-5KN	
Rated capacity	500	1k	2k	5k	N
Rated output	0.5±10%	1±10%	2±10%	2±0.5%	mV/V
Safe overload	150				%R.C.
Zero balance	±10				%R.O.
Non-linearity	0.5		0.15		%R.O.
Hysteresis	0.5		0.15		%R.O.
Repeatability	0.5		0.05		%R.O.
Compensated temperature range	-10 ~ +60				°C
Safe temperature range	-20 ~ +70				°C
Temperature effect on zero	0.5		0.05		%R.O./10°C
Temperature effect on span	0.5		0.1		%R.O./10°C
Input resistance	Approx. 500		425±50		Ω
Output resistance	Approx. 500		350±5		Ω
Recommended excitation voltage	5		10		V (AC,DC)
Maximum excitation voltage	10		15		V (AC,DC)
Insulation resistance (DC50V)	1000				MΩ
Cable	φ3 4 conductor shield cable 3m End treatment 5 leads.		φ5 4 conductor shield cable 5m End treatment 5 leads.		
Loadcell material	Aluminium		Stainless steel		

### Wiring Diagram

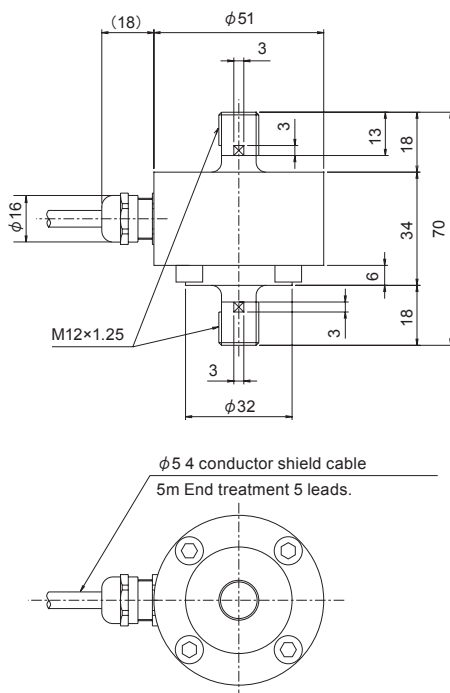


### External Dimension

#### UNCLB-500/1KN/2KN



#### UNCLB-5KN



Model	Deflection at rated	Natural frequency	Weight
UNCLB-500N	0.01mm	16kHz	20g
UNCLB-1KN	0.01mm	22kHz	20g
UNCLB-2KN	0.01mm	20kHz	35g
UNCLB-5KN	0.02mm	20kHz	60g

Unit: mm